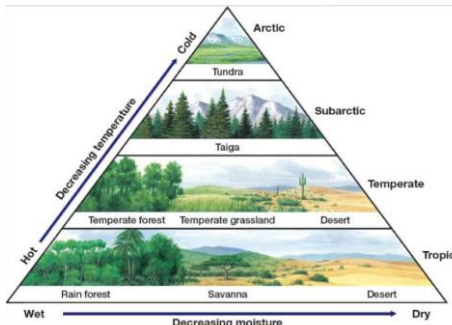


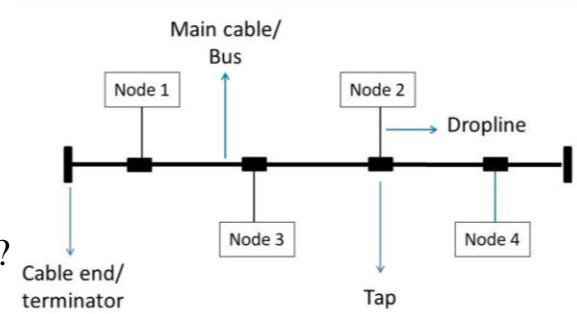
- Subject: Natural Science
- Course: Biology
- Concept: Ecological interactions
- Target Text: Bivalves
- Question: If the number of Bivalves suddenly decreases, what will happen to the number of Geese and Mute Swans?
- Diagram List: Osprey, Tertiary Consumers, ...



- Subject: Social Science
- Course: World History
- Concept: Age of exploration
- Target Text: Columbian Exchange
- Question: Based on the definition of the Columbian Exchange, which arrow could show a part of the Columbian Exchange?
- Diagram List: North America, Africa, ...



- Subject: Earth Science
- Course: Climate Science
- Concept: Climate zones and biomes
- Target Text: Negative acceleration
- Question: In which biome is tree growth stunted by low temperatures and a short growing season?
- Diagram List: Steady Speed, Deceleration, ...



- Subject: Applied Science
- Course: Computer Science
- Concept: Network topology
- Target Text: Topology
- Question: What is the type of topology in the graph?
- Diagram List: Node 1, Bus, ...